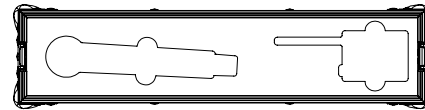
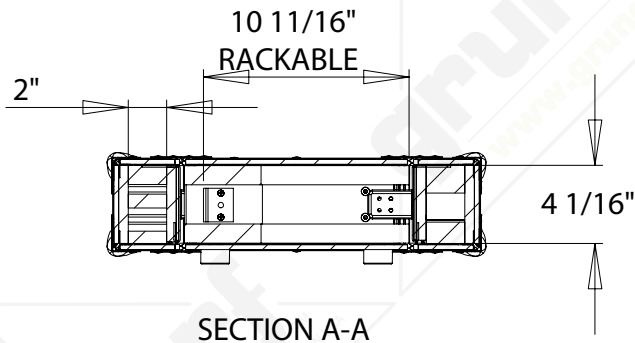
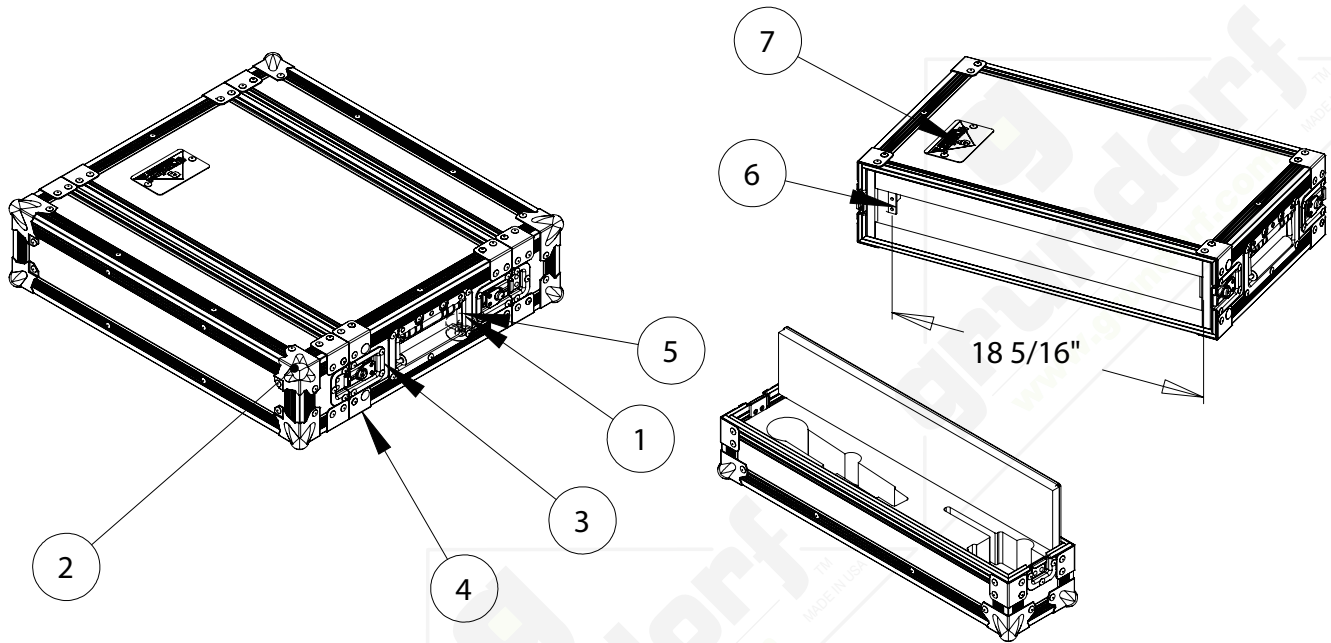
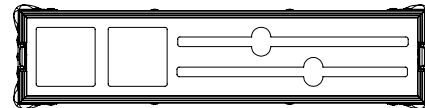


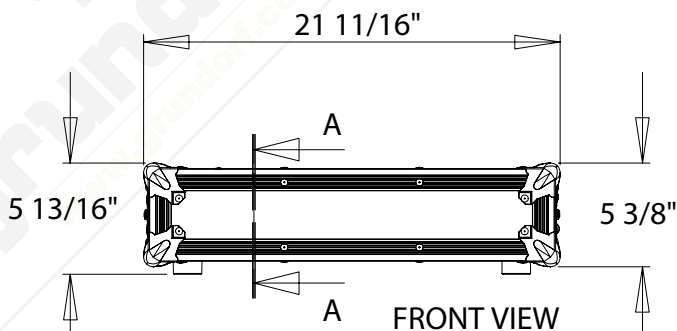
#	Qty	PART NUMBER	DESCRIPTION
1	1	31-027	HANDLE - RECESSED/LOGO/ZINC
2	8	32-017	CORNER - BALL/OFFSET/ZINC
3	4	34-019	CATCH - RECESSED ZINC
4	16	35-012	CLAMP - SMALL 4 HOLE/ZINC
5	4	40-001	FOOT - RUBBER/1-1/2"
6	2	41-001	RACK RAIL-01 SPACE
7	1	83-008	BADGE - GRUNDORF



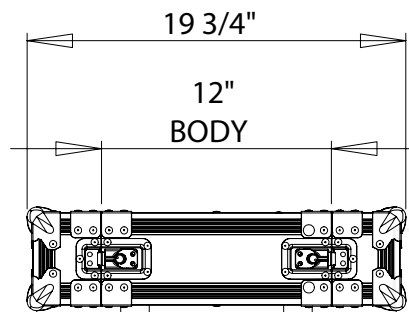
BACK LID



FRONT LID



FRONT VIEW



SIDE VIEW